

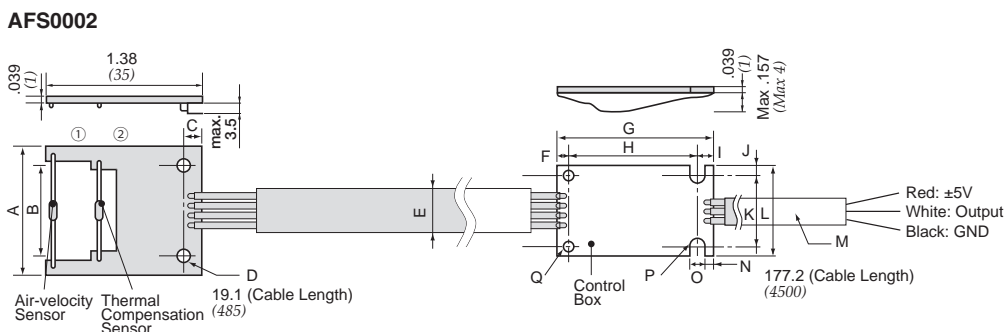
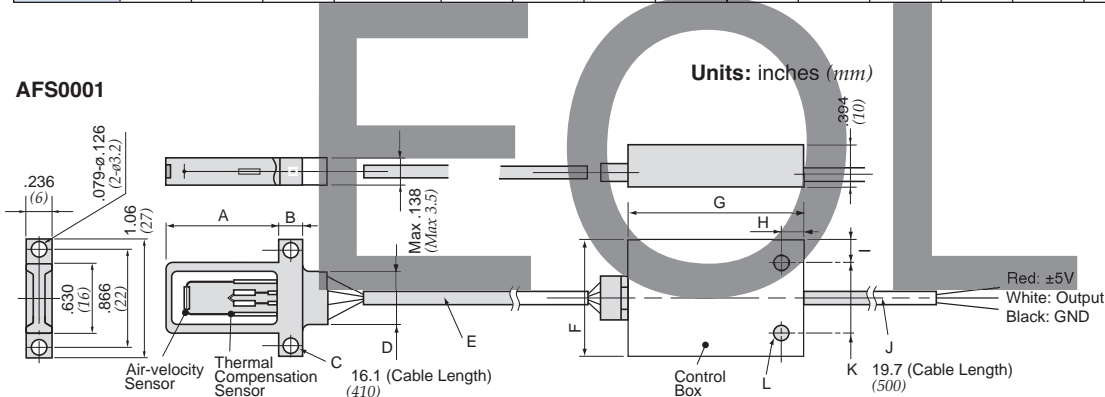
features

- The platinum thin-film thermal sensor realizes high and long-term stability
- The small platinum thin-film thermal sensor and an even temperature differential operating circuit ensure a quick response
- The built-in temperature compensation circuit assures correct values regardless of air temperature. The air velocity sensor and air velocity temperature compensation sensor are sensors with the same characteristics to enable correct temperature compensation
- Products have no rotating mechanism and are resistant to vibrations
- Products are compact and light, and are easy to be installed in equipment

dimensions and construction

Size	Dimensions inches (mm)											
	A	B	C	D	E	F	G	H	I	J	K	L
AFS0001	.984 (25)	.197 (5)	2- ϕ .126 (2- ϕ 3.2)	.512 (13)	ϕ .118 (ϕ 3)	.984 (25)	1.57 (40)	.217 (5.5)	.177 (4.5)	ϕ .118 (ϕ 3)	.630 (16)	2- ϕ .126 (2- ϕ 3.2)

Size	Dimensions inches (mm)																
	A	B	C	D	E	F	G	H	I	J	K	L	M	N	O	P	Q
AFS0002	1.10 (28)	.787 (20)	.157 (4)	2- ϕ .126 (2- ϕ 3.2)	.394 (10)	.118 (3)	1.38 (35)	1.12 (28.5)	.138 (3.5)	.079 (2)	.630 (16)	.787 (20)	.197 (ϕ 5)	.069 (1.76)	ϕ .126 (3.2)	R.126 (R3.2)	2- ϕ .079 (2- ϕ 2.0)



ordering information

AFS	-	0001
Type		Type Number
		0001
		0002

applications and ratings

Test Items	AFS-0001	AFS-0002	Remarks
Detection Object	Clean air, ordinary pressure		
Detection Range (m/s)	0 - 15		
Detection Accuracy (m/s)	±0.3%	±0.5%	0.5 - 1.0 (less than 1.0) m/s
	±0.5%	±0.7%	1.0 - 4.0 (less than 4.0) m/s
	—	±2.0%	4.0 - 12 (less than 12) m/s
	—	±3.0%	12 - 15 m/s
	±1.5%	—	4.0 - 15 m/s
Power Supply Voltage (V)	5.0 ± 0.25		
Current Consumption (A)	0.2 maximum		Start-up time is excluded
Output Voltage (V)	1.8 - 3.2	1.9 - 3.5	Non-linear analog (see Output Characteristics Diagram)
Output Impedance (Ω)	100 typical		
Start-up Time (S)	15 typical		
Operating Temperature Range (°C)	0 - +60		
Operating Humidity Range (%RH)	30 - 85		Dew condensation not allowed
Storage Temperature Range (°C)	-10 - +70		
Storage Humidity Range (%RH)	30 - 85		Dew condensation not allowed
Temperature Compensation Range (°C)	0 - +60		

environmental applications

Output Characteristics Diagram

